



# EZ SERIES GS

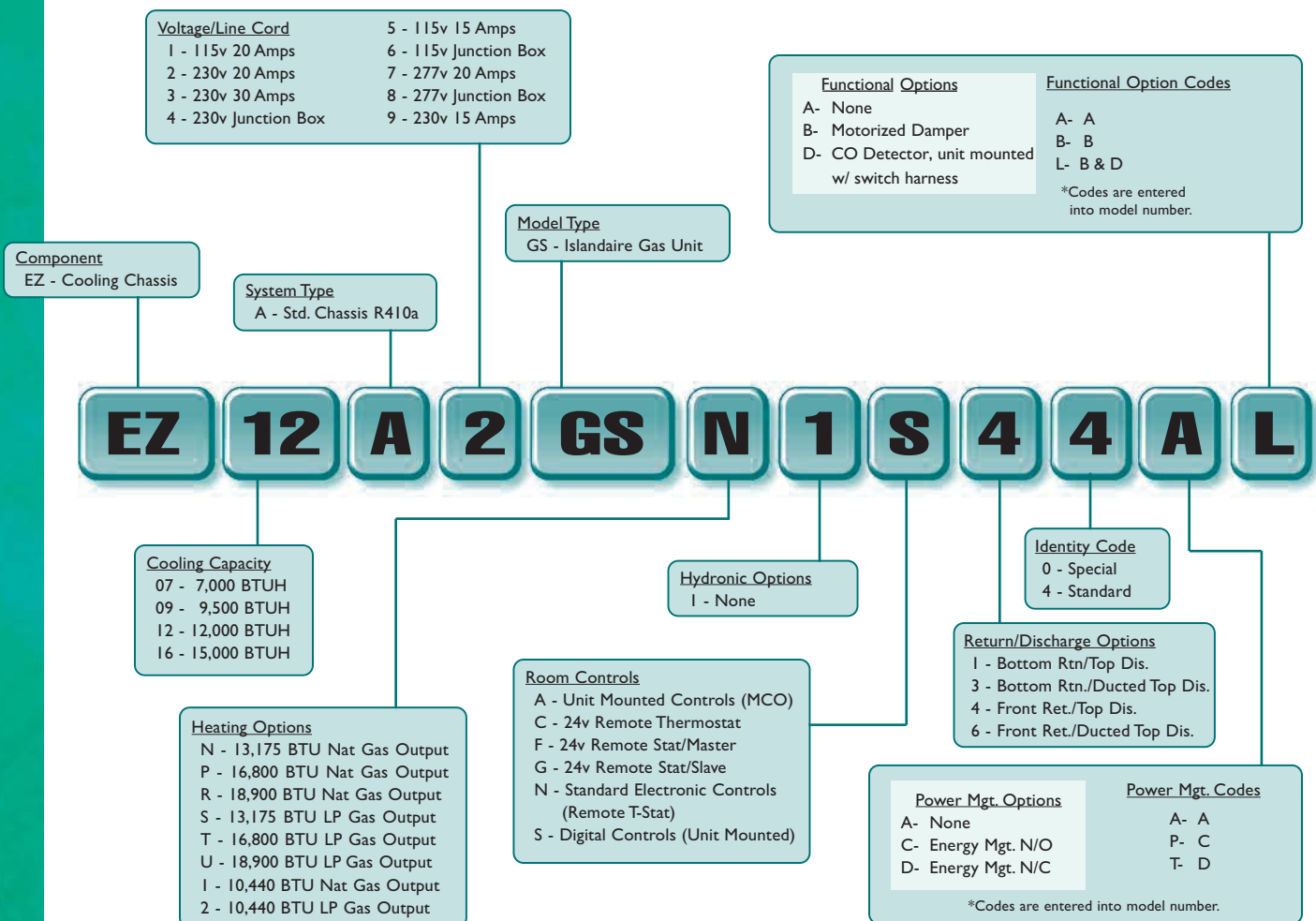
Specifically Designed For The 42" x 16" Market  
and Replacement for the Suburban Dynaline

Islandaire EZ Series GS is a replacement for the Suburban Dynaline units. Our commercial duty construction with heavy gauge galvanized steel and superior components create an efficient reliable unit. This design eliminates the need for any interior or exterior renovation. Use of the existing wall sleeve-cabinet and louver saves time and money, two very important factors in today's competitive environment! If the need does occur where the duct kit sub-base/skirt, wall sleeve-cabinet and/or louver needs to be replaced, we manufacture these accessories as well. This unit is also used extensively for new construction projects.

**\* Our stainless steel, tubular heat exchanger has a lifetime warranty!**

## FEATURES

- Proudly Made in the U.S.A.
- CSA listed products
- Superior Energy Efficiency Ratios (EERs)
- Commercial Duty Construction with Heavy Gauge Galvanized Steel
- Designed for exact replacement of existing sleeve opening
- Electrically controlled heat surface ignition
- P.S.C. Evaporator and Condenser Motors
- High-Efficiency Refrigeration Coils Used to Provide Superior Heat Transfer
- Units Available as Cooling only, Cooling with Natural Gas Heat or L.P. Gas Heat
- Custom Options Available
- Available with State-of-the-Art Digital *Intellitemp*™ Control System
- Available with wired and wireless wall thermostats
- NYC MEA Number 358-93-EVOL.II



\*Specifications are subject to change due to ongoing product development.

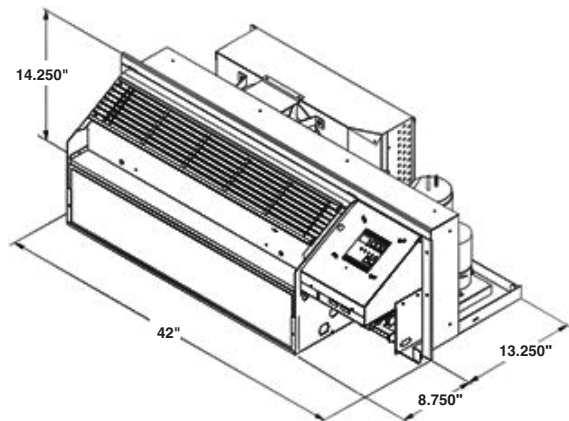


MODELS															
	EZ07				EZ09				EZ12				EZ16		
VOLTS	115	230	208	277	115	230	208	277	115	230	208	277	230	208	277
BTUH COOLING	7,285	7,385	7,185	7,286	8,868	8,968	8,768	8,868	11,936	12,086	11,836	11,936	15,498	15,198	15,345
AMPS COOL	4.51	2.79	2.79	2.19	6.91	3.90	3.90	2.84	9.58	5.00	5.00	3.94	7.1	7.1	5.6
WATTS COOL	607	615	599	607	787	795	782	787	1191	1102	1084	1091	1550	1550	1550
EER	12.00	12.01	11.99	12.00	11.27	11.28	11.21	11.27	10.94	10.97	10.92	10.94	10.0	9.8	9.9
CFM HIGH COOL	360	375	340	360	360	375	340	360	360	375	340	360	360	360	360
CFM LOW COOL/HEAT	260	275	240	260	260	260	240	260	340	340	320	340	340	320	340
NOISE INDOOR/OUTDOOR. (DBA)	45/69	45/69	45/69	45/69	45/69	45/69	45/69	45/69	45/69	45/69	45/69	45/69	45/69	45/69	45/69
REFRIGERANT (TYPE)	R410A	R410A	R410A	R410A	R410A	R410A	R410A	R410A	R410A	R410A	R410A	R410A	R410A	R410A	R410A
SHIPPING WEIGHT (LB)	180	180	180	180	180	180	180	180	180	180	180	180	180	180	180
STC (Unit Off)*	26	26	26	26	26	26	26	26	26	26	26	26	26	26	26

HEATING OPTIONS – Available with any cooling unit																
	I & 2				N & S				P & T				R & U			
INPUT BTUH HEAT	12,000	12,000	12,000	12,000	15,000	15,000	15,000	15,000	18,000	18,000	18,000	18,000	21,000	21,000	21,000	21,000
OUTPUT BTUH HEAT	10,440	10,440	10,440	10,440	13,175	13,175	13,175	13,175	16,800	16,800	16,800	16,800	18,900	18,900	18,900	18,900
VOLTS	115	208	230	277	115	208	230	277	115	208	230	277	115	208	230	277
WATTS HEAT	143	150	166	166	143	150	166	166	143	150	166	166	143	150	166	166
THERMAL EFFICIENCY	87.0	87.0	87.0	87.0	85.0	85.0	85.0	85.0	84.0	84.0	84.0	84.0	84.0	84.0	84.0	84.0
AMPS HEAT	1.24	0.72	0.72	0.60	1.24	0.72	0.72	0.60	1.24	0.72	0.72	0.60	1.24	0.72	0.72	0.60

Heating capacities specified in accordance with ARI standard 380-82 at conditions of 47°F FWB outdoor and 70°F DB/60°F FWB indoor. Wattage, Amperage, COP, EER listings include compressor, evaporator motor and condenser fan motor. Cooling capacities specified in accordance with ARI standard 380-82 at conditions of 95°F DB/75°F FWB outdoor and 80°F DB/67°F FWB indoor.

Line Voltage	Maximum Amperage	Wall Socket Configuration	Receptacle Number	Electrical Heat Options
115	16		NEMA 5-20R	N/A
208/230	12		NEMA 6-15R	N/A
208/230	16		NEMA 6-20R	N/A
208/230	24		NEMA 6-30R	N/A
277	16		NEMA 7-20R	N/A



# EZ SERIES GS

## Unit Accessories

### WALL SLEEVE/CABINETS

PART NUMBER	DESCRIPTION	APPROX. WT.	DIMENSIONS		
			DEPTH	WIDTH	HEIGHT
2400405-00	EZGS Wall Sleeve Assembly, Recessed	50 lbs.	15.000"	42.00"	16.00"
2400450-00	EZGS Wall Sleeve Assembly, External	50 lbs.	13.750"	42.00"	16.00"
2400598-00	EZGS Wall Sleeve Assembly, Deep, Custom	50 lbs.	16.075"	42.00"	16.00"
2400747-00	EZGS Wall Sleeve Assembly, Deep, Custom	50 lbs.	17.075"	42.00"	16.00"
4090339-00	EZGS Wall Sleeve Extension Kit, 2" Depth	5 lbs.	2.000"	42.00"	16.00"



### DUCT ASSEMBLIES

PART NUMBER	DESCRIPTION	APPROX. WT.	DIMENSIONS		
			LENGTH	WIDTH	HEIGHT
4090432-00	EZGS Main Duct Assembly, w/ Transition, Standard	20 lbs.	N/A	N/A	N/A
4080709-00	EZGS Duct Extension without end grille, 43.125"	10 lbs.	N/A	N/A	N/A
6070199-00	EZGS End Grille for Duct, 6.5" x 6.0"	5 lbs.	N/A	N/A	N/A



### LOUVERS

PART NUMBER	DESCRIPTION	APPROX. WT.	DIMENSIONS		
			DEPTH	WIDTH	HEIGHT
6070264	EZGS Stamped Louver, Formed, Standard	10 lbs.	1.063"	41.000"	15.50"
6070422	EZGS Architectural Louver, External, for 2400450-00 Sleeve	10 lbs.	1.125"	42.000"	15.90"
6070134	EZGS Architectural Louver, External, for 2400405-00 Sleeve	10 lbs.	1.125"	41.500"	15.50"



### THERMOSTATS

PART NUMBER	DESCRIPTION	APPROX. WT.	FEATURES		
			CONNECTION	STAGE	DISPLAY
6040523	Islandaire Non-Programmable Thermostat	3 lbs.	Wired	Single	Horizontal
6040730	White-Rogers Programmable 5/2 days T-Stat	3 lbs.	Wired	Single	Horizontal
6040942	Islandaire Programmable Thermostat	3 lbs.	Wired	Single	Horizontal
6040824	Islandaire EZ Touch IR Non-Program T-Stat	3 lbs.	Infrared	Single	Vertical
6040935 - 6040936	Telkonet EcoWave Thermostat Kit	5 lbs.	Wireless	Single	Vertical



### FILTERS

PART NUMBER	DESCRIPTION	APPROX. WT.	DIMENSIONS		
			DEPTH	WIDTH	HEIGHT
6080029	EZGS Filter 30.750" by 7.00"	2 lbs.	.250"	30.750"	7.000"



### SUBBASES

PART NUMBER	DESCRIPTION	APPROX. WT.	DIMENSIONS		
			VOLTAGE	AMPERES	HEIGHT
4083349	EZSB4203EMR12S00F00V00	10 lbs.	208/230v	15/20A	3.0"
4083350	EZSB4203EMR13S00F00V00	10 lbs.	208/230v	30A	3.0"
4083351	EZSB4203EMR15S00F00V00	10 lbs.	265/277v	20A	3.0"
4083352	EZSB4203BPR00S00F00V00	10 lbs.	N/A	N/A	3.0"
4083200	EZSB4204EMR12S00F20V00	10 lbs.	208/230v	15/20A	4.0"
4084008	EZSB4205EMR12S00F00V00	10 lbs.	208/230v	15/20A	5.0"



### MISCELLANEOUS

PART NUMBER	DESCRIPTION	APPROX. WT.	DIMENSIONS		
			DEPTH	WIDTH	HEIGHT
4090345	EZGS Louver Hardware Kit #10-32	1 lb.	N/A	N/A	N/A
4090661	EZGS External/Internal Drain Kit	1 lb.	N/A	N/A	N/A
4090970	EZGS Stamped Louver Hardware Kit	1 lbs.	N/A	N/A	N/A
4082844	EZGS Metal, Sloped, Front Panel	20 lbs.	N/A	N/A	N/A
6040756	EZGS Hard Wire Kit	5 lbs.	N/A	N/A	N/A
6040694	EZGS Hand Held Remote Control	1 lb.	N/A	N/A	N/A
4090287	EZGS Discharge Plenum Kit for Suburban replacement	2 lbs.	N/A	N/A	N/A



22 Research Way • East Setauket, NY 11733

Phone: 631-471-2900 • Toll Free: 800-886-2759 • Fax: 631-471-2913

www.islandaire.com • sales@islandaire.com



**Ask your salesman about  
our DR. PTAC option!\***



\*100% conditioned  
fresh air

**NEW!  
Vertical Unit Available**

For New Construction and  
as Replacement for:

**GE AZ Vertical, Friedrich Vert-I-Pak  
and First Company SPX**



22 Research Way, East Setauket, NY 11733 • 1-800-886-2759  
e-mail: [sales@islandaire.com](mailto:sales@islandaire.com) • [www.islandaire.com](http://www.islandaire.com)  
Ph: 631-471-2900 • Fax: 631-471-2913



Locally Represented By: